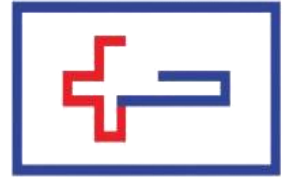


# ABS CYCLIC SERIES

RELIABLE BATTERIES. EXPERT ADVICE. SINCE 1988



**abs**

AGM GEL

## ABS6-270C

### FEATURES & BENEFITS

- Superior Cycle Life
- Deep Cycle AGM
- Advanced Carbon Technology
- Gel Filled for increased cycle life
- 99.99% virgin lead for grid plate
- Heavy duty grid/paste design for deep cycle application
- Maintenance free, non-spillable, valve-regulated
- Vibration Resistant
- Low self-discharge for longer shelf life



### ELECTRICAL SPECIFICATIONS

Voltage (V)	Capacity (Ah)			
	20 HR	10 HR	5 HR	3 HR
6	268	240	220	200

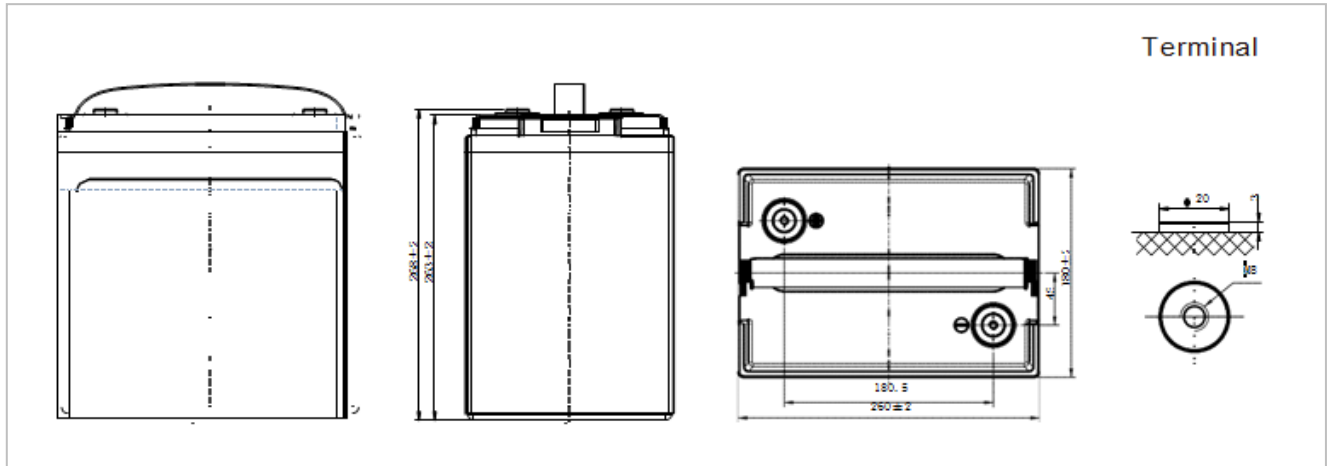
### PHYSICAL SPECIFICATIONS

Dimensions (mm/inches)				Weight (kg/lbs)	Terminal Type (Standard)	Case Material
Length	Width	Height	Total Height			
260/10.24	180/7.09	263/10.35	268/10.55	32.9/72.5	T11 (M8)	ABS

Operating Temperature Range		
Discharge	Charge	Storage
-20°C ~ 55°C (-4°F ~ 131°F)	0°C ~ 40°C (32°F ~ 104°F)	-15°C ~ 40°C (-5°F ~ 104°F)

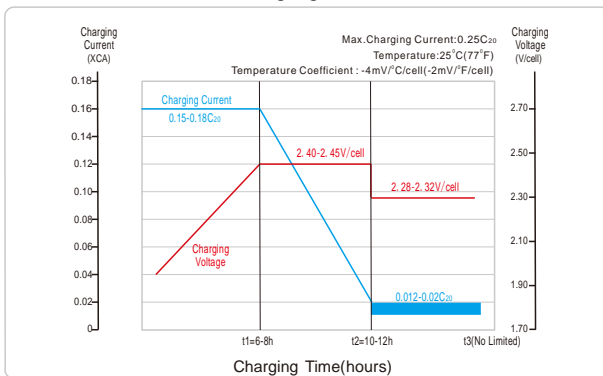
# ABS6-270C

## DIMENSIONS

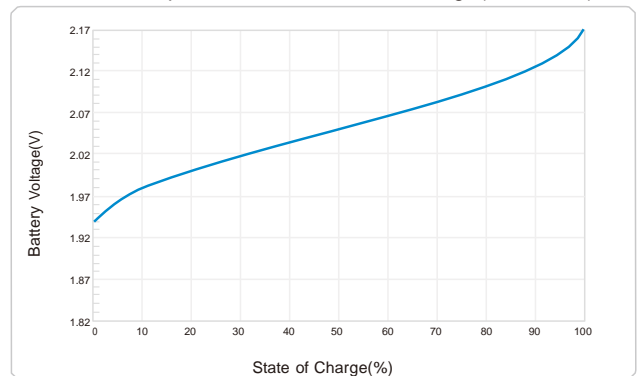


## PERFORMANCE CHARACTERISTICS

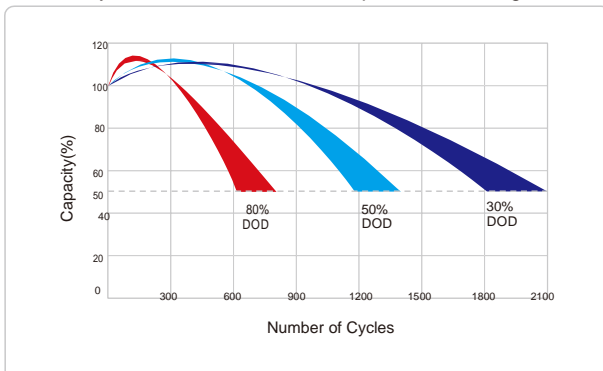
Charging Profile



Relationship of OCV and State Of Charge(25°C, 77°F)



Cycle Life in Relation to Depth Of Discharge



Self-discharge Characteristic

