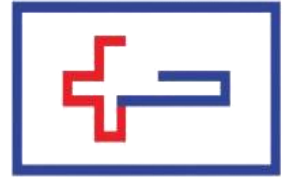


ABS CYCLIC SERIES

RELIABLE BATTERIES. EXPERT ADVICE. SINCE 1988



abs

AGM GEL

ABS12-150C

FEATURES & BENEFITS

- Superior Cycle Life
- Deep Cycle AGM
- Advanced Carbon Technology
- Gel Filled for increased cycle life
- 99.99% virgin lead for grid plate
- Heavy duty grid/paste design for deep cycle application
- Maintenance free, non-spillable, valve-regulated
- Vibration Resistant
- Low self-discharge for longer shelf life



ELECTRICAL SPECIFICATIONS

Voltage (V)	Capacity (Ah)				
	100 HR	20 HR	10 HR	5 HR	3 HR
12	166	150	143	136	125

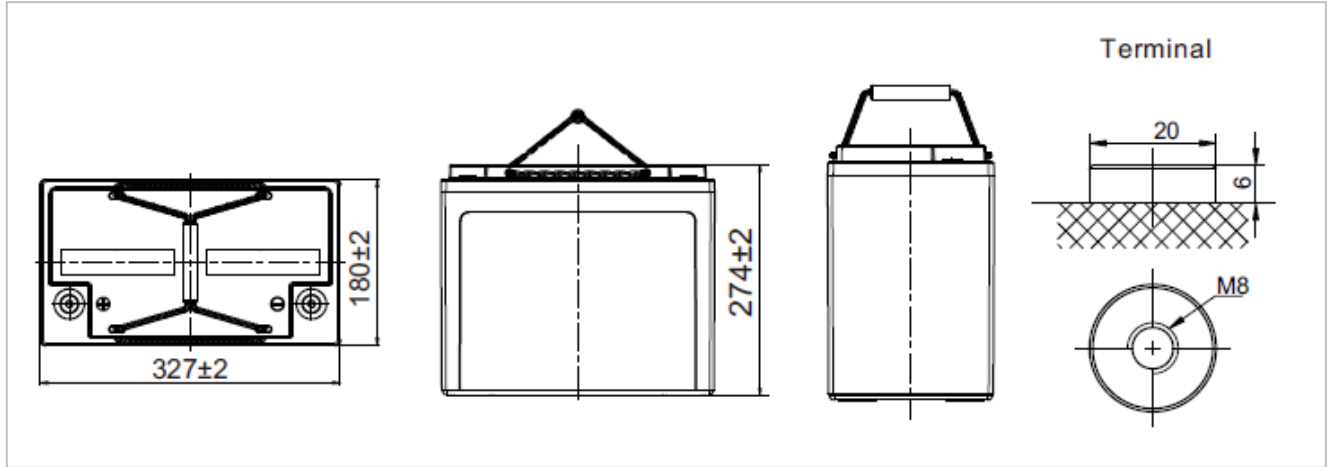
PHYSICAL SPECIFICATIONS

Dimensions (mm/inches)				Weight (kg/lbs)	Terminal Type (Standard)	Case Material
Length	Width	Height	Total Height			
327/12.87	180/7.09	274/10.79	274/10.79	42.2/93.0	T11 (M8)	ABS

Operating Temperature Range		
Discharge	Charge	Storage
-20°C ~ 55°C (-4°F ~ 131°F)	0°C ~ 40°C (32°F ~ 104°F)	-15°C ~ 40°C (-5°F ~ 104°F)

ABS12-150C

DIMENSIONS



PERFORMANCE CHARACTERISTICS

